

ZTLS-04

General

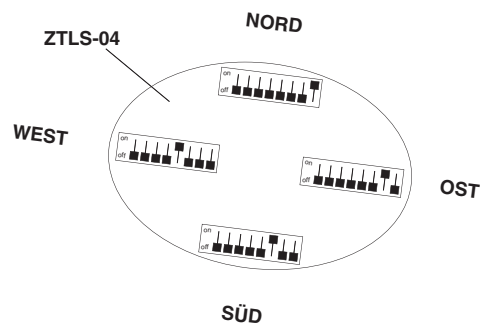
The ZTLS-04 daylight measuring head has four separate light sensors and provides the current light values from the four points of the compass. The 16 bit values for south, west, north and east are available in system variables and are analysed in the master. Thanks to the internal address it is not necessary to set a module address. When used in conjunction with the SUN processor it provides information about the position of the sun and the current light values. Together with the blind module it offers optimal shading for each individual building façade with artificial light readjustment.



The freestanding daylight measuring head is assembled on the roof and consists of transparent dome casing with four integrated digital light sensors which are aligned exactly to the four points of the compass. It has an integrated thermostatically-controlled heating system to protect against condensation and freezing. All data lines to the sensors are fitted with overload protectors.

DIP switch

The four compass points are parameterised by DIP switch:



Functions displays

- 4 red LED indicates the operations voltage
- 4 yellow flashing LED signalise the communication to the master via subnet

Connections

- 1 connection for the subnet (BUS A and B, RS-485)
- 1 connection for the operating voltage (Ub, 0V)
- 1 connection for the heating (230V/50Hz)

Design

- cupola casing

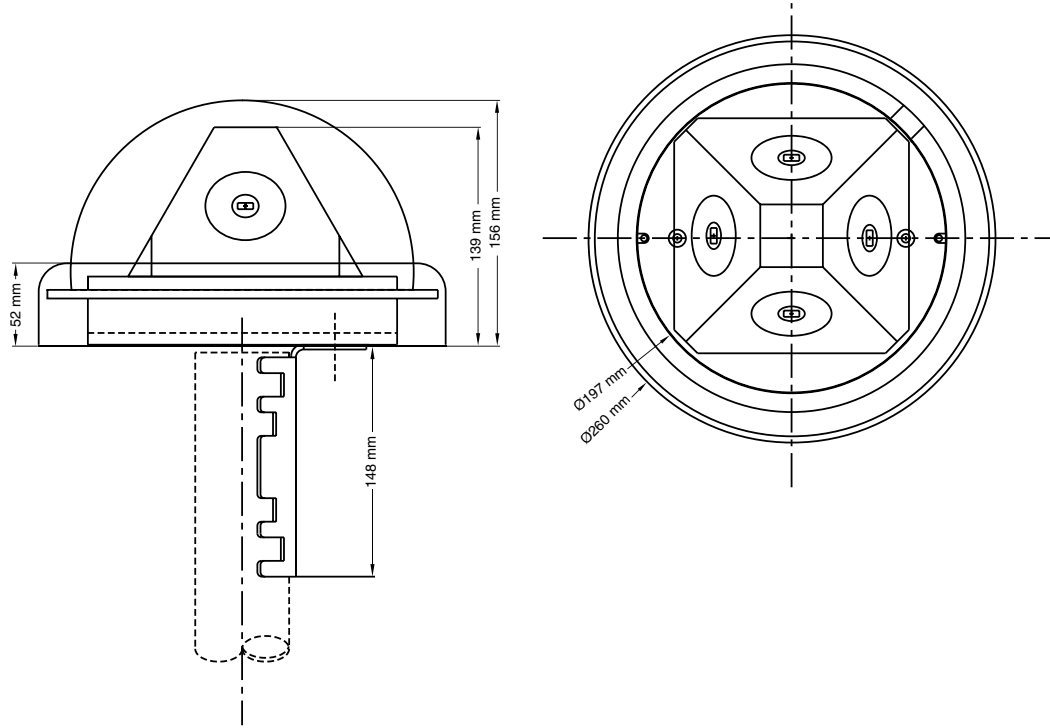
Technical data

Type	ZTLS-04
Art. Nr.	80085110
Operating voltage	12V to 35V DC or 12V to 27V AC
Current consumption	100mA (without heating)
Heating power	84.3.3W
Subnet (RS-485)	max. 5,6V limited by Z-diodes
Dimensions	H=157mm (without mast), diameter 260mm
Weight	2200g
Connections	Screw terminals 1,5mm ² , pluggable
Operating temperatur	-10...+50°C
Storage temperature	-25...+70°C
Humidity	0 ...85 % r.F. non condensing
Schutzart	IP65
ESD immunity	Category 3 according to IEC-1000-4-2
EMV immunity	Use in typical industrial enviroment. Category 3 according to IEC-1000-4-4 (Test was carried out within a whole system)
CE sign	yes

Terminal assignment

\cong Ub	Operating voltage
0V	Operating voltage
A	Subnet (BUS A, RS-485)
B	Subnet (BUS B, RS-485)
Lx	Heating 230V/50Hz
N	Heating 230V/50Hz
PE	Protective arrounding connection

View



Wiring diagram

